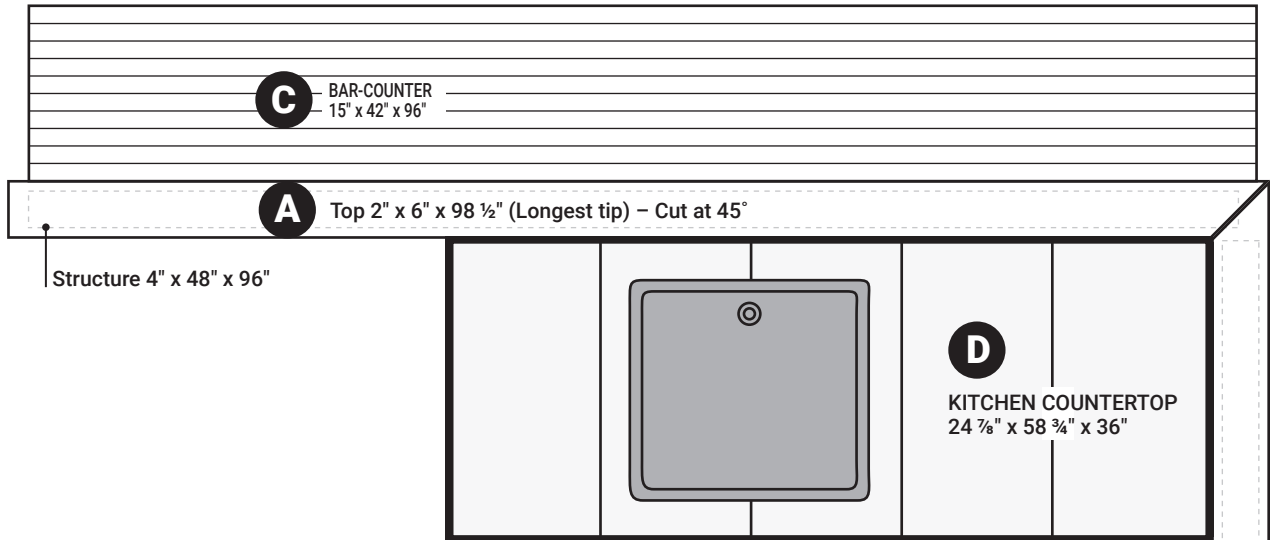
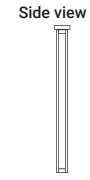
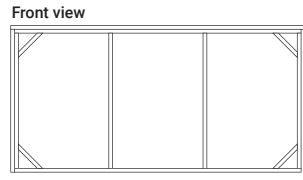


Workshop

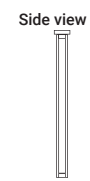
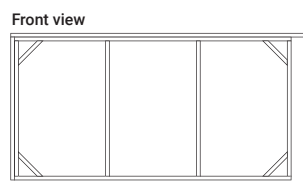
Plan • Outdoor kitchen



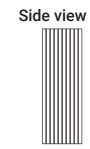
- A LONG WALL**
 Structure 4" x 48" x 96"
 2x (2" x 4" x 96")
 4x (2" x 4" x 45")
 4x Brackets for each corner
 2x Fibre cements ¼" – 4' x 8'
 1x (2" x 6" x 48")
 1x (2" x 6" x 98 ½") cut at 45° on the top



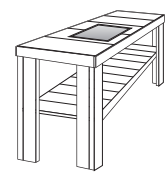
- B SHORT WALL**
 Structure 4" x 48" x 92"
 2x (2" x 4" x 92")
 4x (2" x 4" x 45")
 4x Brackets for each corner
 1x Fibre cement ¼" – 4' x 92"
 1x Fibre cement ¼" – 4' x 8'
 1x (2" x 6" x 48")
 1x (2" x 6" x 98 ½") cut at 45° on the top



- C BAR COUNTER**
 Structure 15" x 48" x 96"
 10x (2" x 4" x 96") cut at 45° on each end
 20x (2" x 4" x 42") cut at 45° on one end



- D KITCHEN COUNTERTOP**
 Structure
 8x (2" x 4" x 36")
 4x (2" x 4" x 54 ½")
 5x (2" x 4" x 17 ⅝")
 10x (⅝" x 5 ½" x 20 ⅝")
 2x (⅝" x 5 ½" x 58 ¾")
 2x (⅝" x 5 ½" x 23 ⅝")
- 5x Tiles ⅝" x 11 ½" x 23 ⅝"
 1x Sink of your choice



*See details on the individual sheets

Top 2" x 6" x 98 ½" (Longest tip) – Cut at 45°

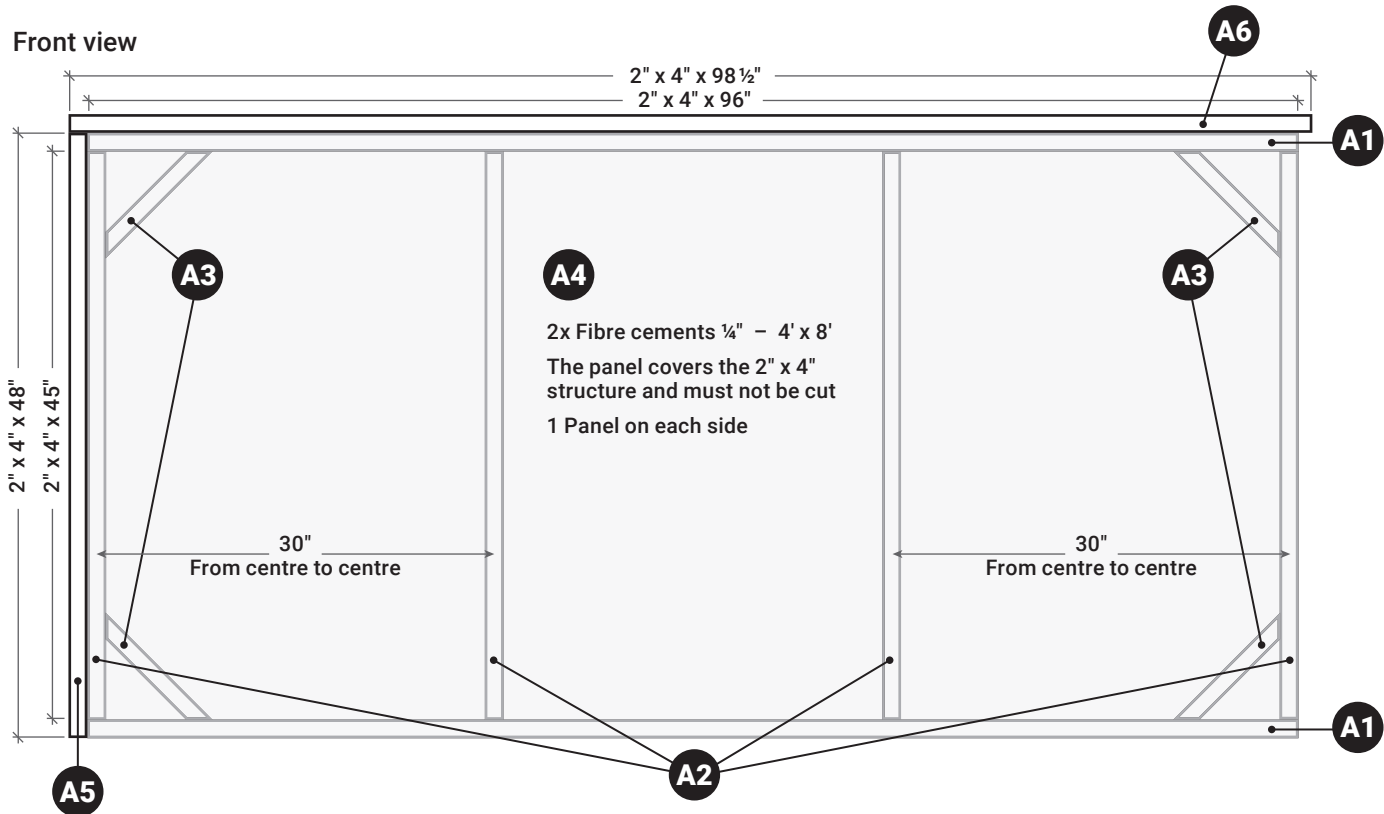
Structure 4" x 48" x 92"

Workshop

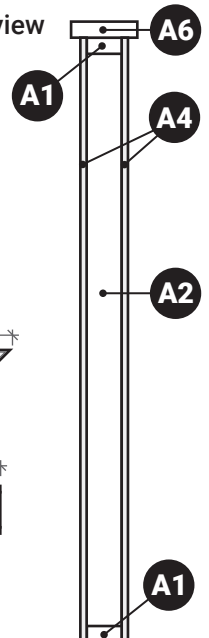
Plan • Outdoor kitchen

A LONG WALL (Structure – 4" x 48" x 96")

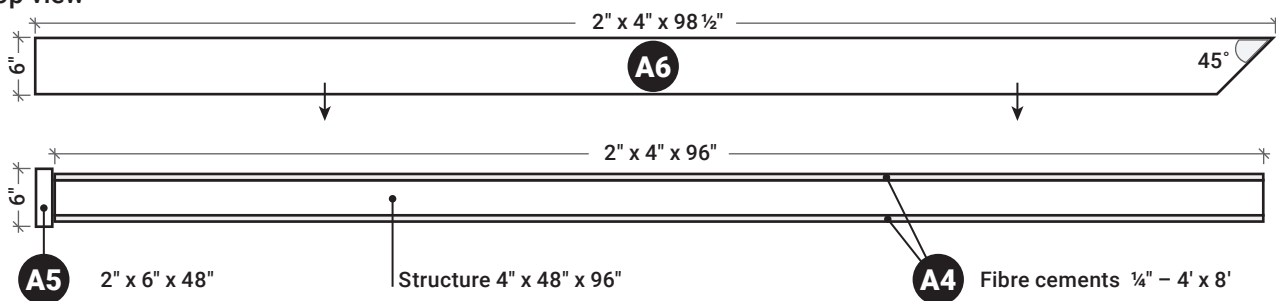
Front view



Side view



Top view



Workshop

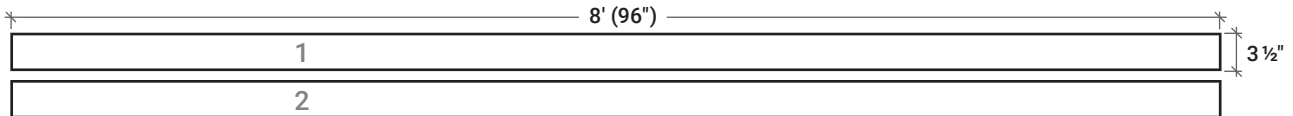
Plan • Outdoor kitchen

A LONG WALL (Structure – 4" x 48" x 96")

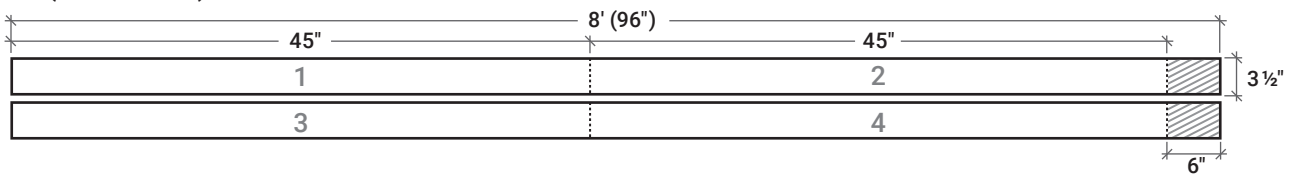
⋮ Cutting line

▨ Loss

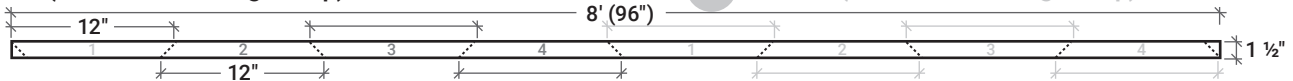
A1 2x (2" x 4" x 96")



A2 4x (2" x 4" x 45")



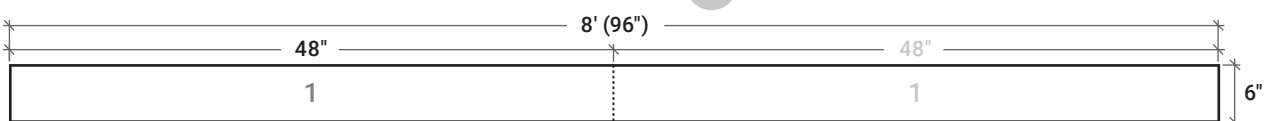
A3 4x (2" x 4" x 12" Longest tip)



B3 4x (2" x 4" x 12" Longest tip)

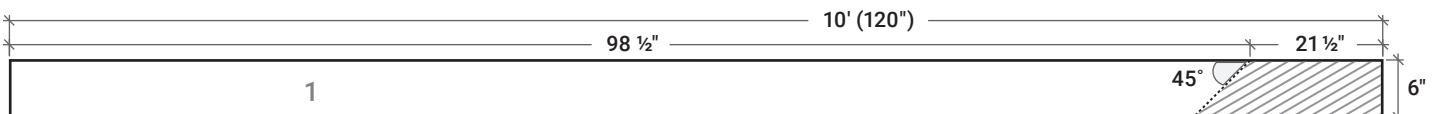
A4 2x Fibre cements 1/4" - 4' x 8'

A5 1x (2" x 6" x 48")



B5 1x (2" x 6" x 48")

A6 1x (2" x 6" x 98 1/2")

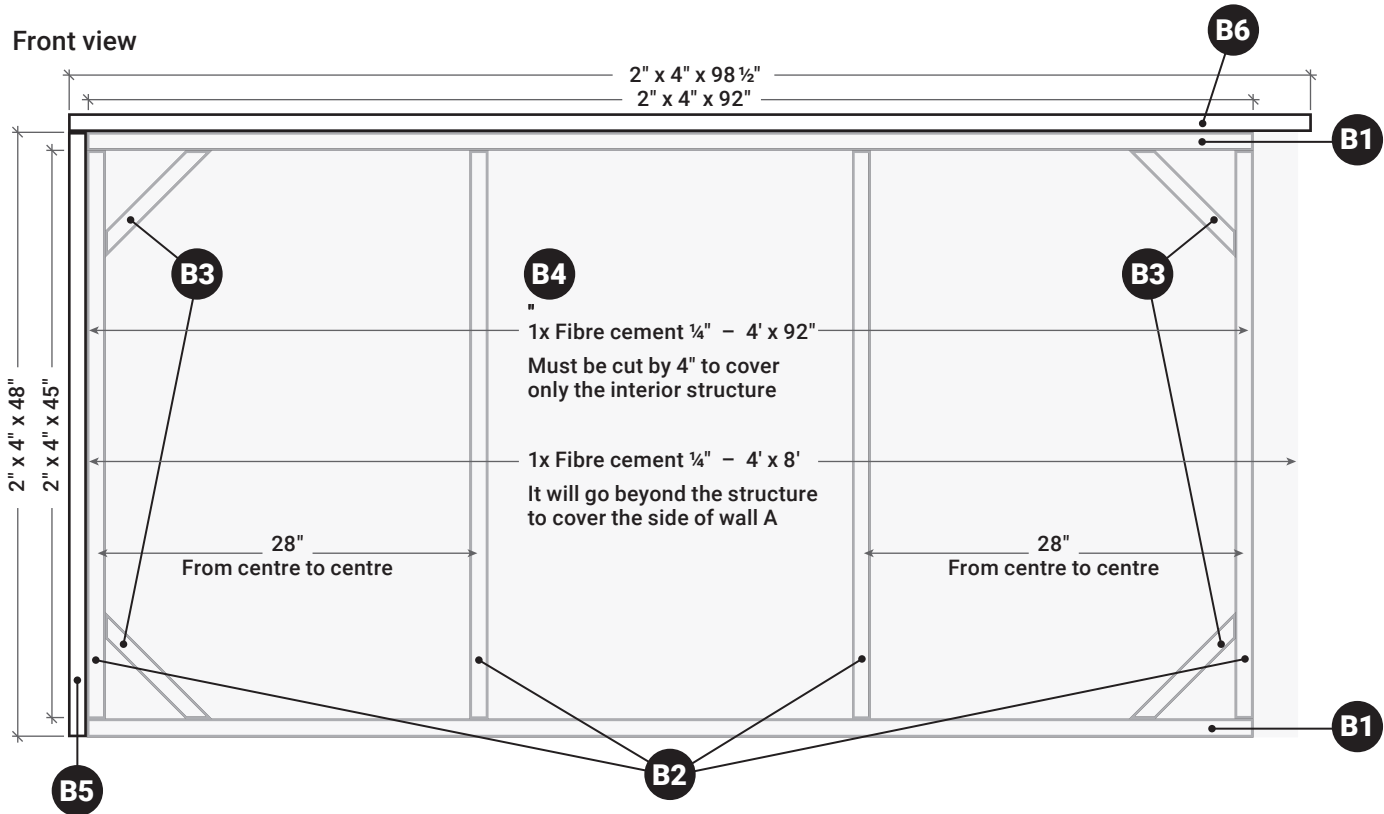


Workshop

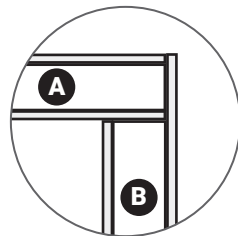
Plan • Outdoor kitchen

B SHORT WALL (Structure – 4" x 48" x 92")

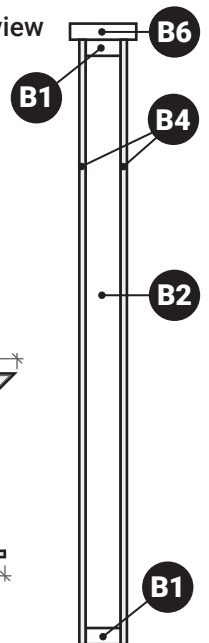
Front view



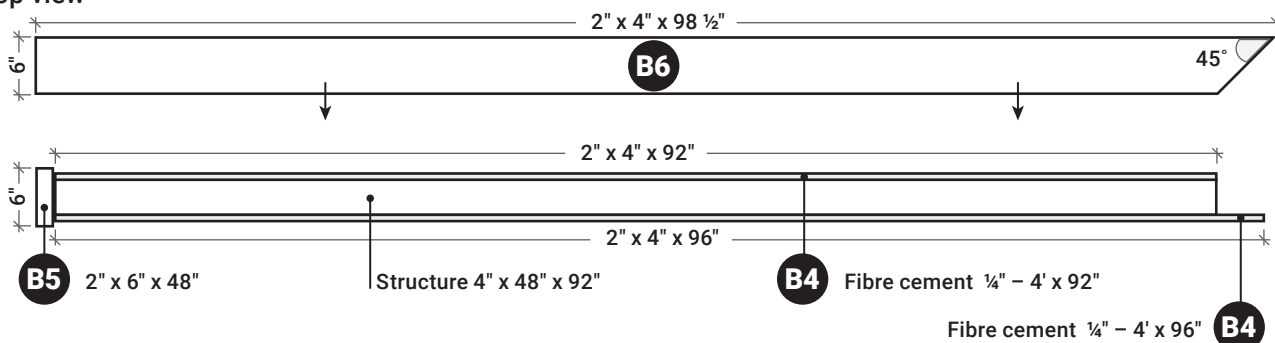
Junction of the walls seen from above



Side view



Top view



Workshop

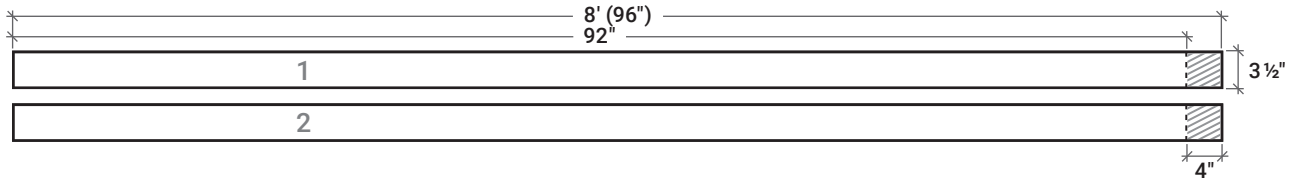
Plan • Outdoor kitchen

B SHORT WALL (Structure – 4" x 48" x 92")

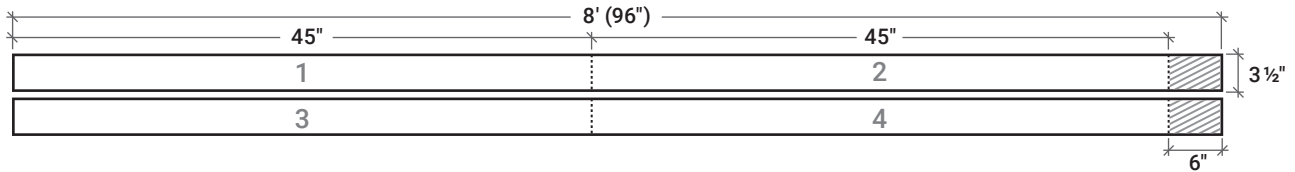
⋮ Cutting line

▨ Loss

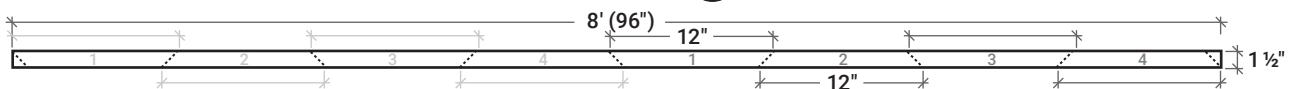
B1 2x (2" x 4" x 92")



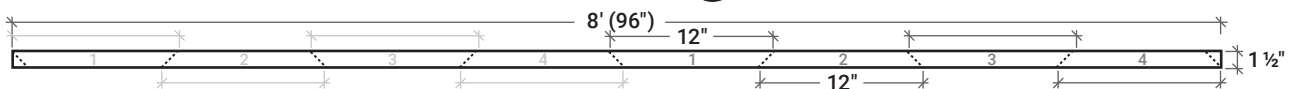
B2 4x (2" x 4" x 45")



A3 4x (2" x 4" x 12" Longest tip)



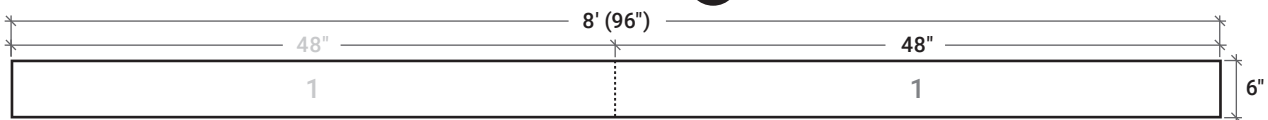
B3 4x (2" x 4" x 12" Longest tip)



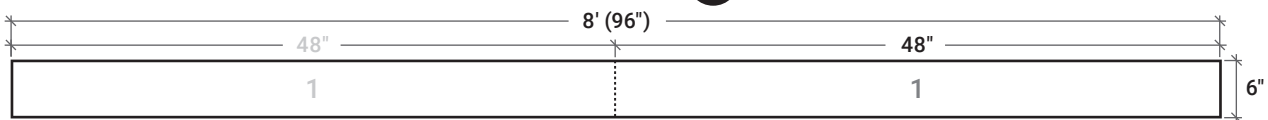
B4 1x Fibre cement 1/4" – 4' x 8'

1x Fibre cement 1/4" – 4' x 92"

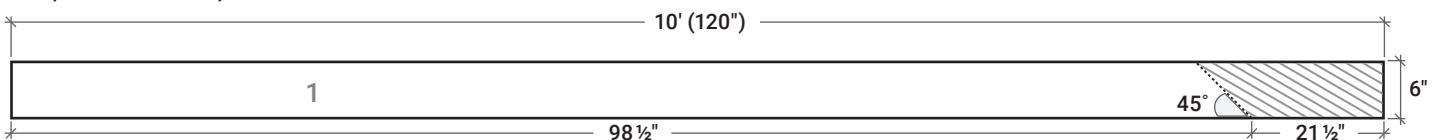
A5 1x (2" x 6" x 48")



B5 1x (2" x 6" x 48")



B6 1x (2" x 6" x 98 1/2")

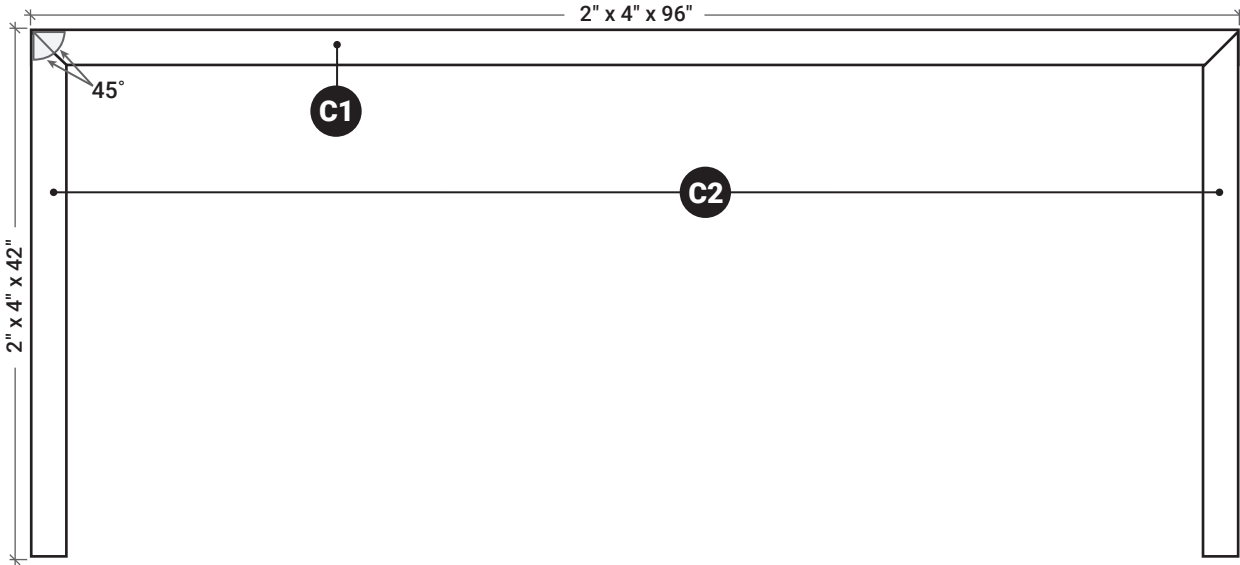


Workshop

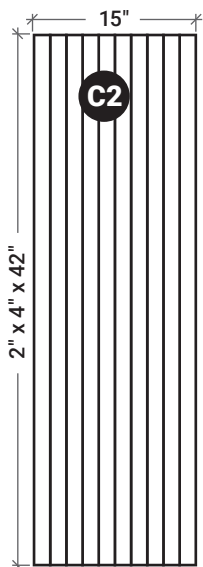
Plan • Outdoor kitchen

C BAR COUNTER (Structure – 15" x 42" x 96")

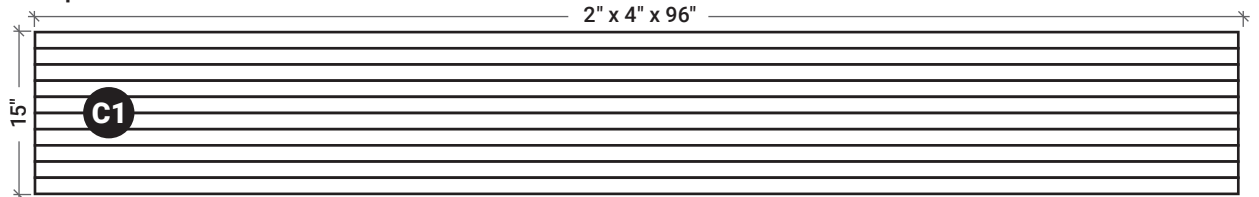
Front view



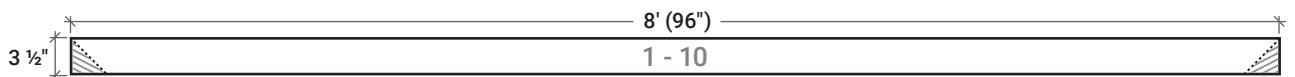
Side view



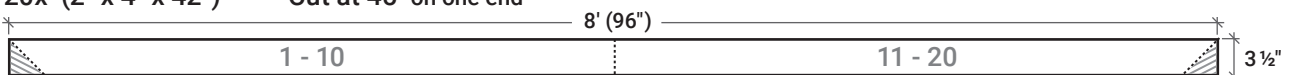
Top view



C1 10x (2" x 4" x 96") — Cut at 45° on both ends



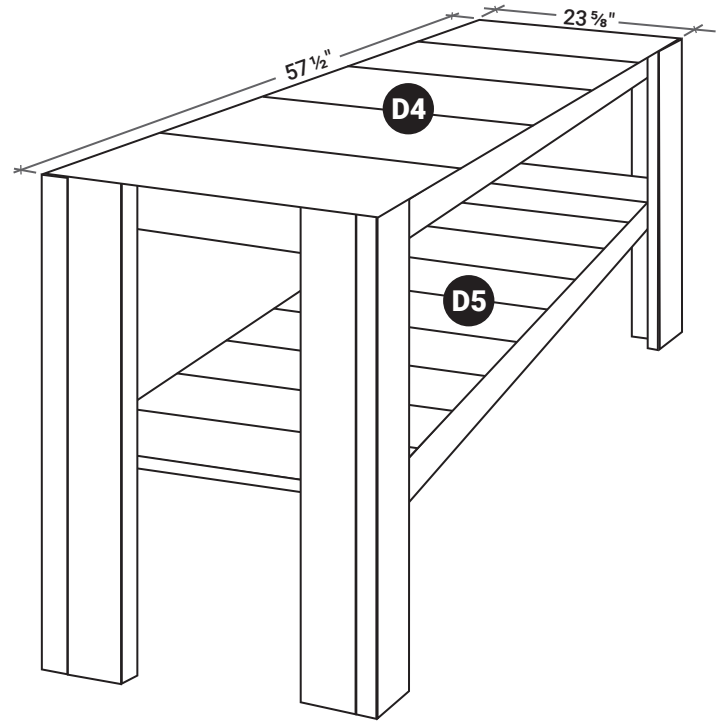
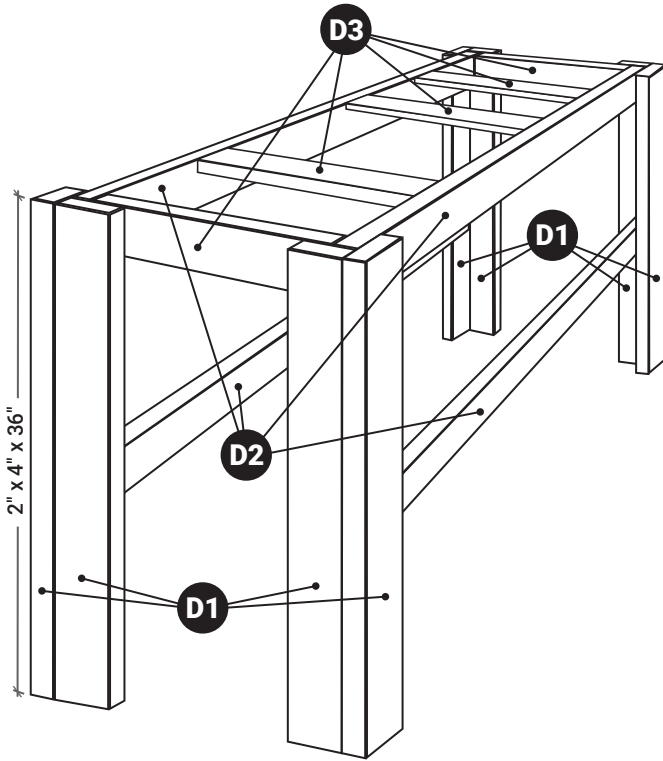
C2 20x (2" x 4" x 42") — Cut at 45° on one end



Workshop

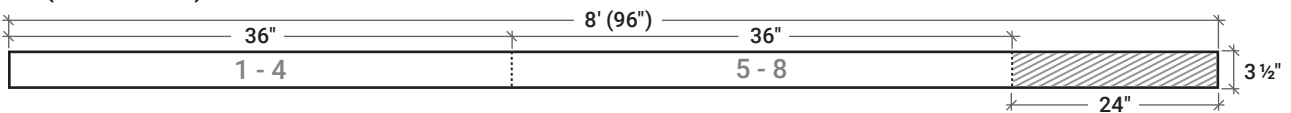
Plan • Outdoor kitchen

D KITCHEN COUNTERTOP

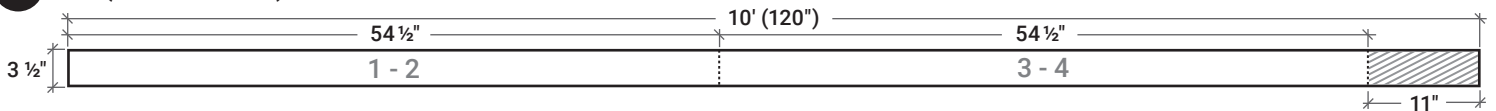


D4 5x Tiles ($\frac{5}{8}$ " x $11\frac{1}{2}$ " x $23\frac{5}{8}$ "

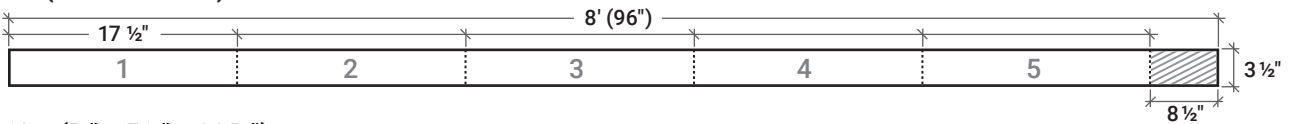
D1 8x (2" x 4" x 36")



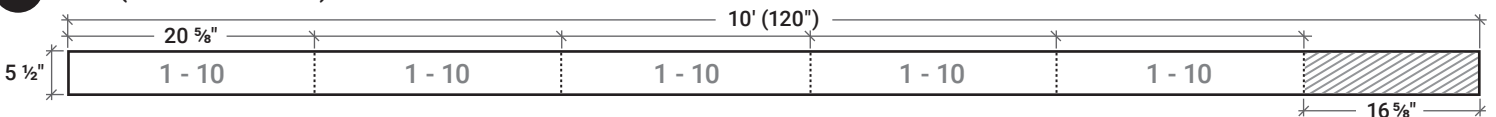
D2 4x (2" x 4" x $54\frac{1}{2}$ ")



D3 5x (2" x 4" x $17\frac{5}{8}$ ")



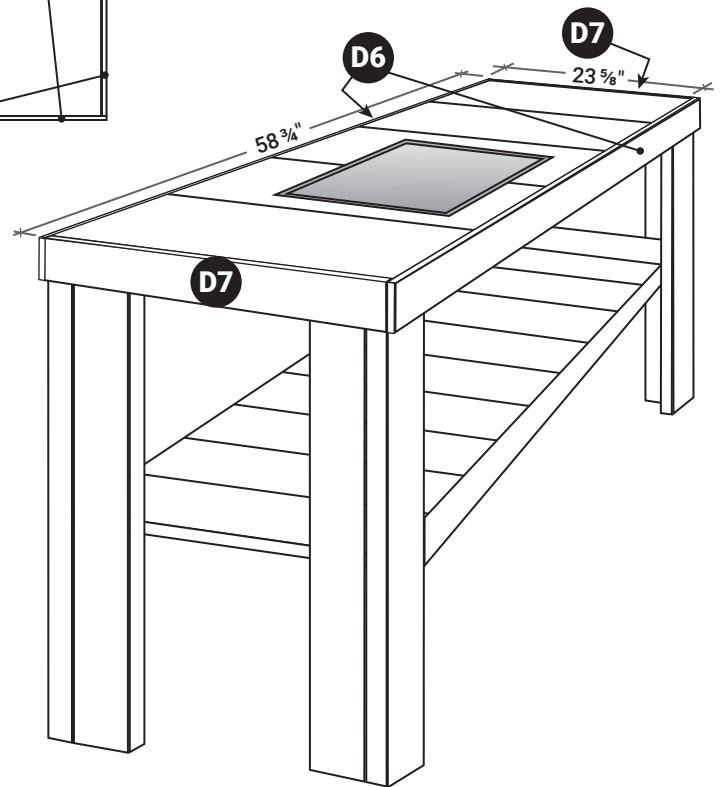
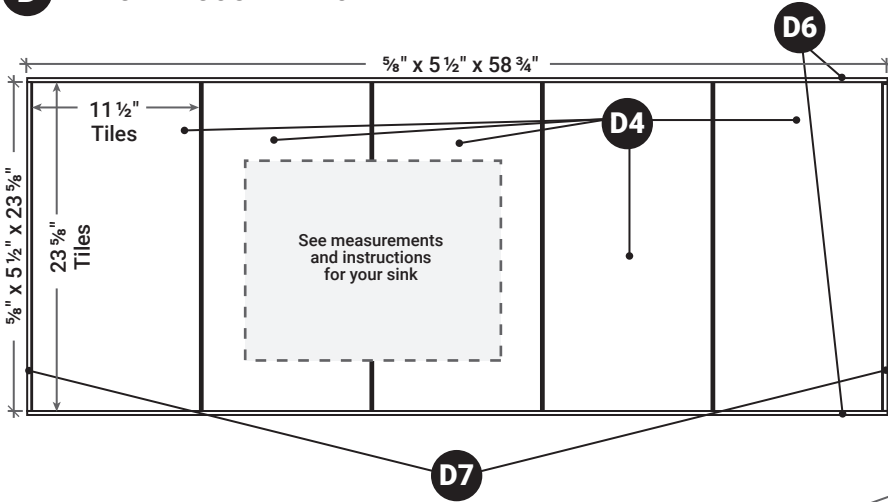
D5 10x ($\frac{5}{8}$ " x $5\frac{1}{2}$ " x $20\frac{5}{8}$ ")



Workshop

Plan • Outdoor kitchen

D KITCHEN COUNTERTOP



D6 2x ($\frac{5}{8}'' \times 5\frac{1}{2}'' \times 58\frac{3}{4}''$)

D7 2x ($\frac{5}{8}'' \times 5\frac{1}{2}'' \times 23\frac{5}{8}''$)

