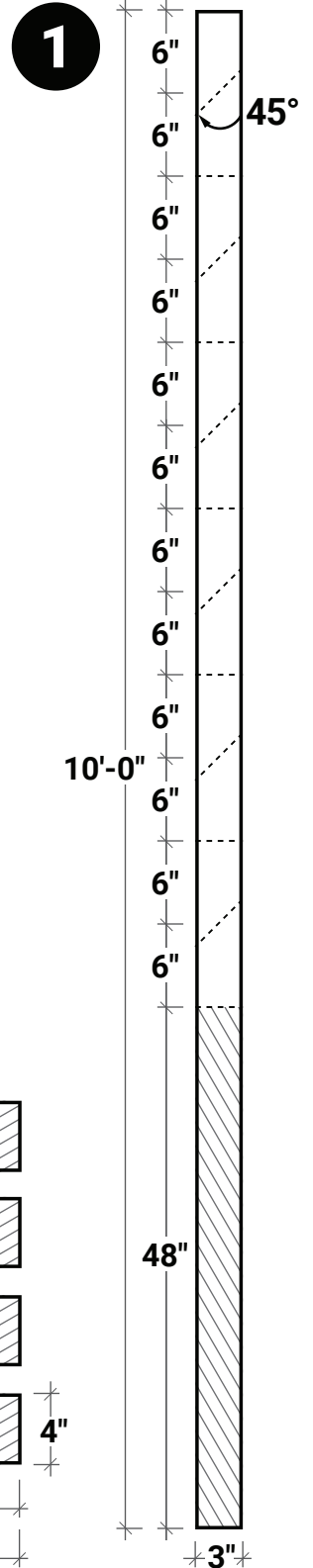
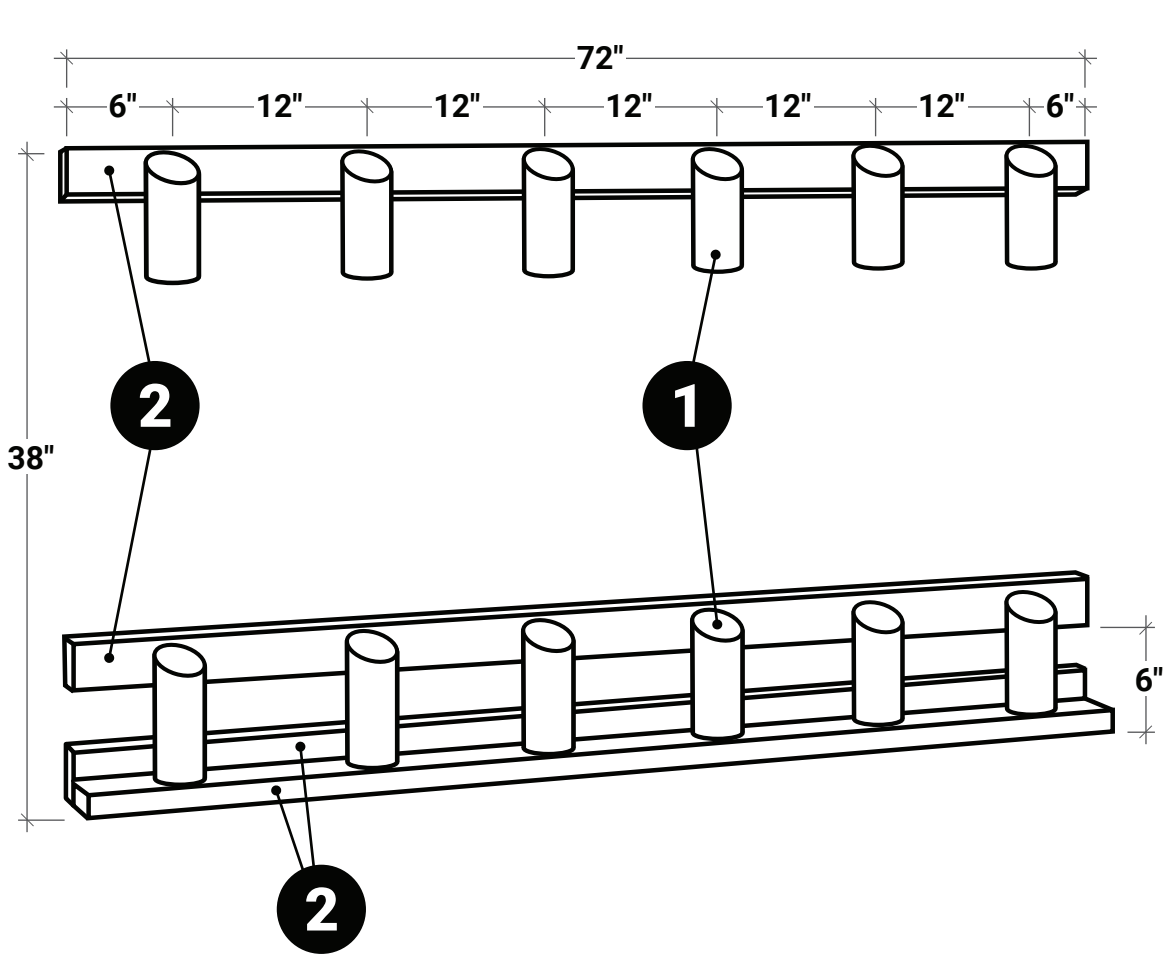


# Workshop

## Plan • Garden Tool Storage



**2** 2"x4"

