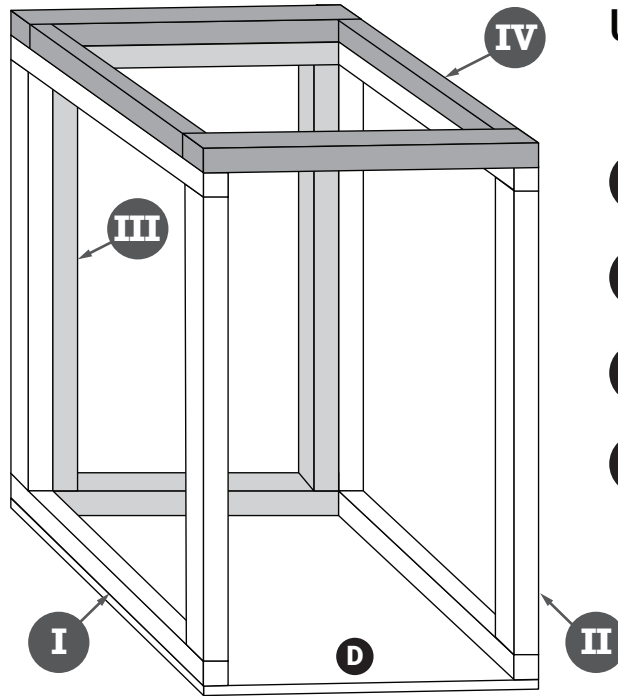
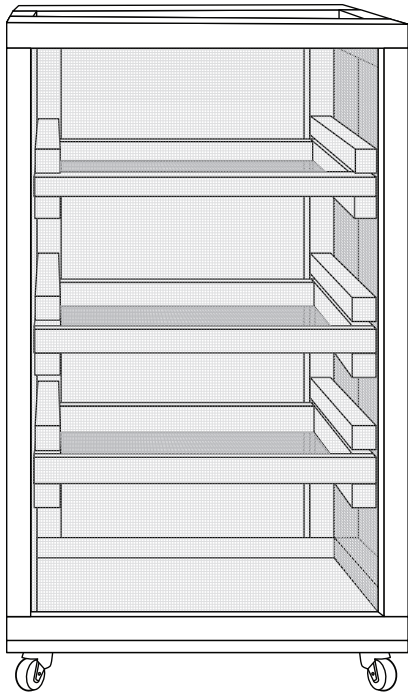


Workshop

Plan • Herb Dryer

DRYER BOX



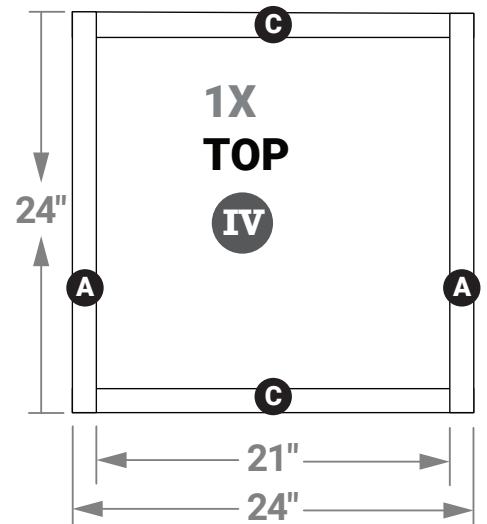
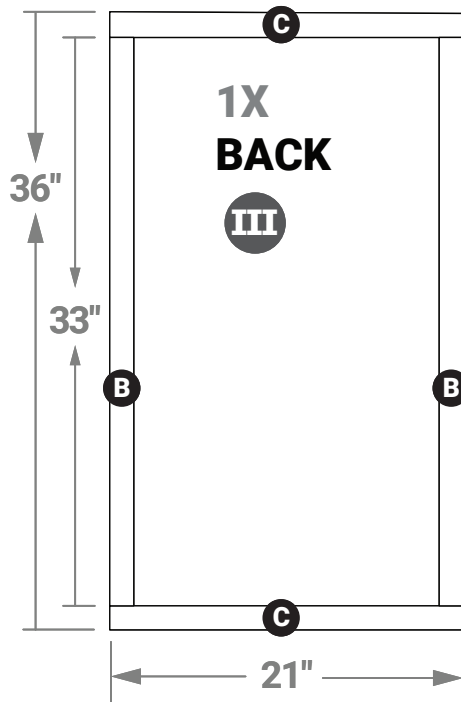
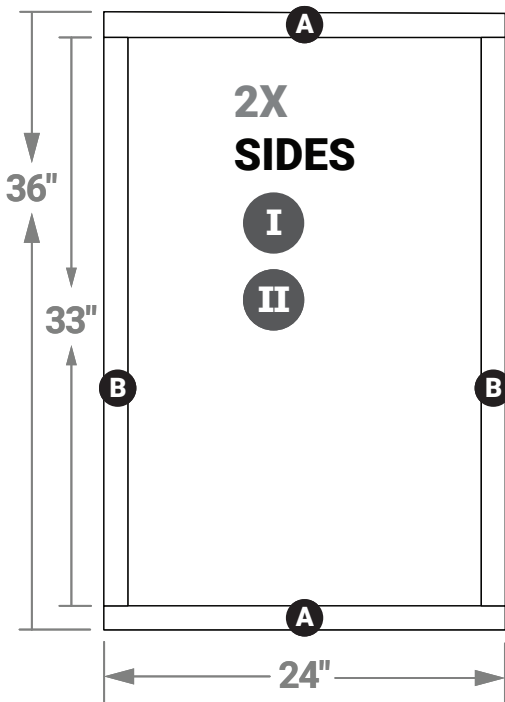
Use 6 X 2x2x8'

A 6 X 2x2x24"

B 6 X 2x2x33"

C 4 X 2x2x21"

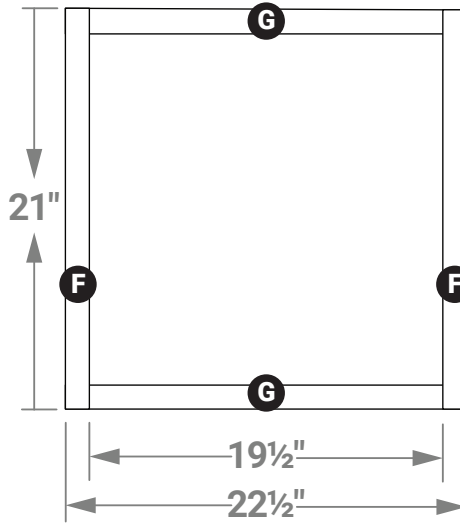
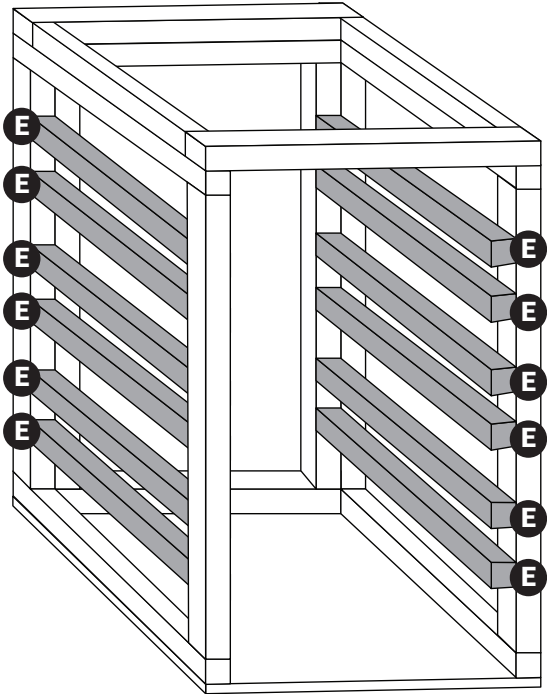
D PLYWOOD
24" x 24"



Workshop

Plan • Herb Dryer

DRAWERS



Use 6 X 2x2x8'

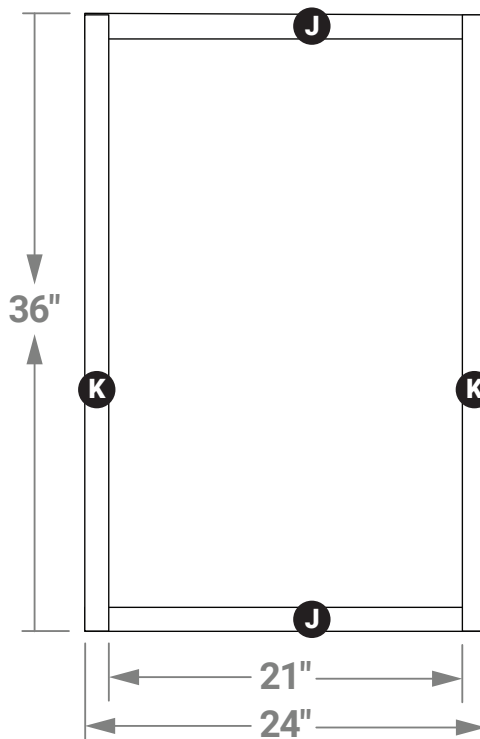
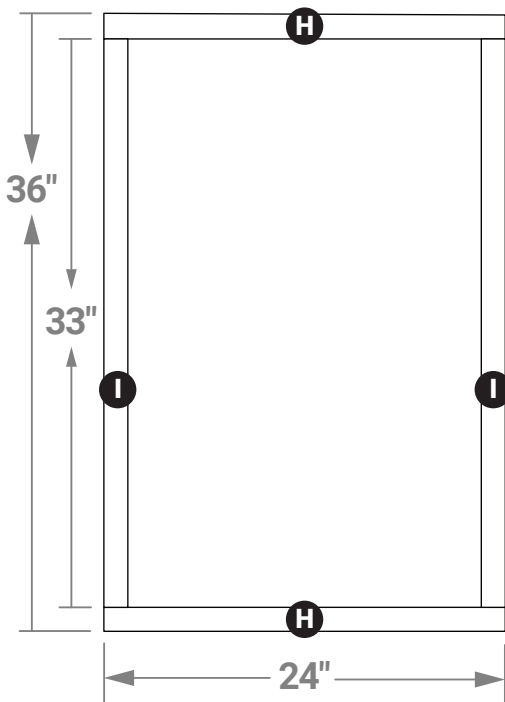
E 12 X 2x2x22½"

F 6 X 2x2x21"

G 6 X 2x2x19½"

MESH SCREEN

DOOR



Use 3 X 1x2x8'

H 2 X 1x2x24"

I 2 X 1x2x33"

J 2 X 1x2x21"

K 2 X 1x2x36"

MESH SCREEN