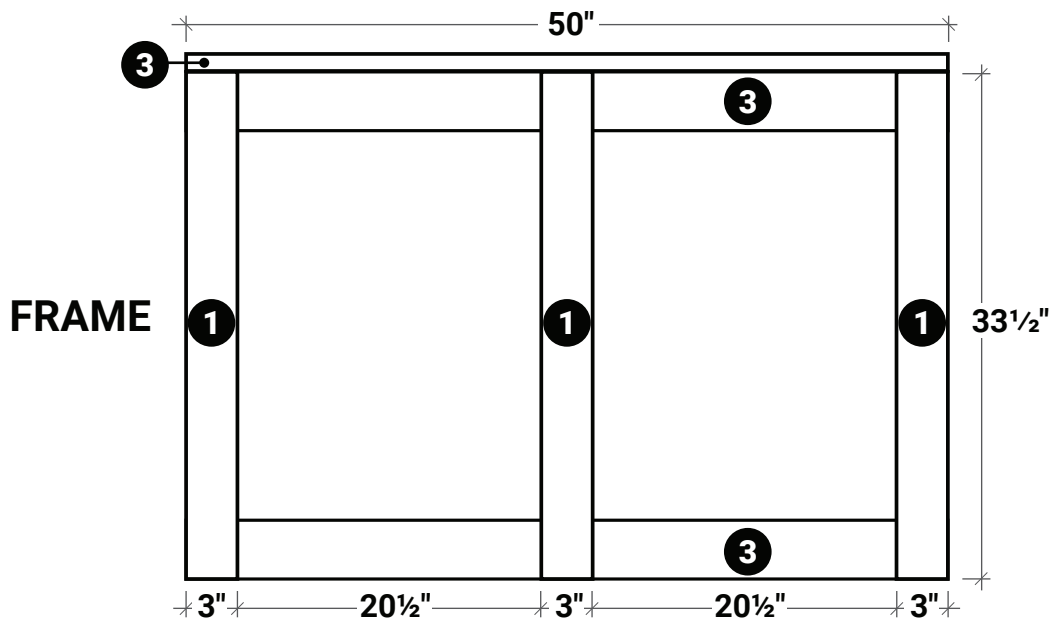
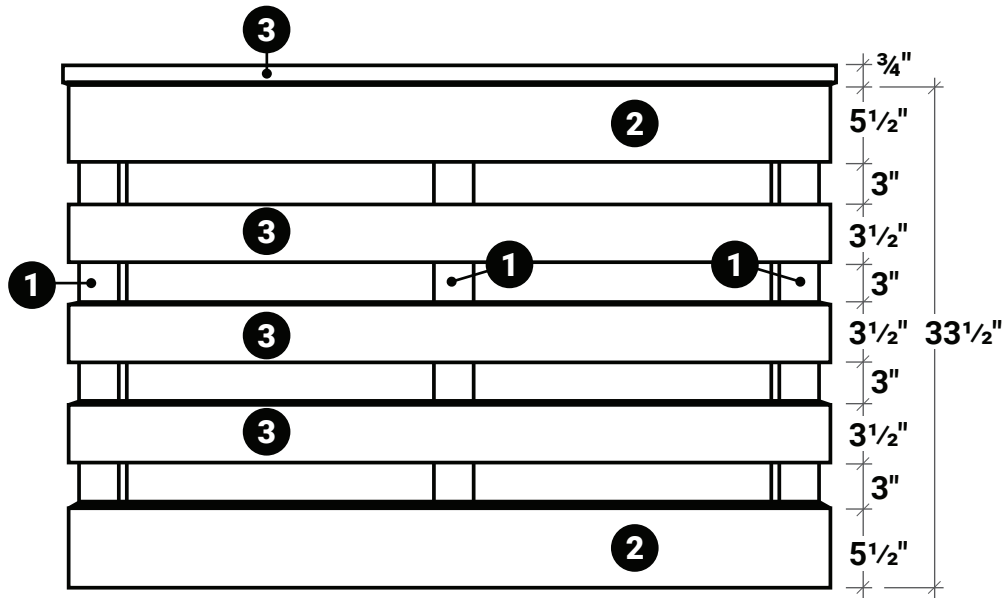


Workshop

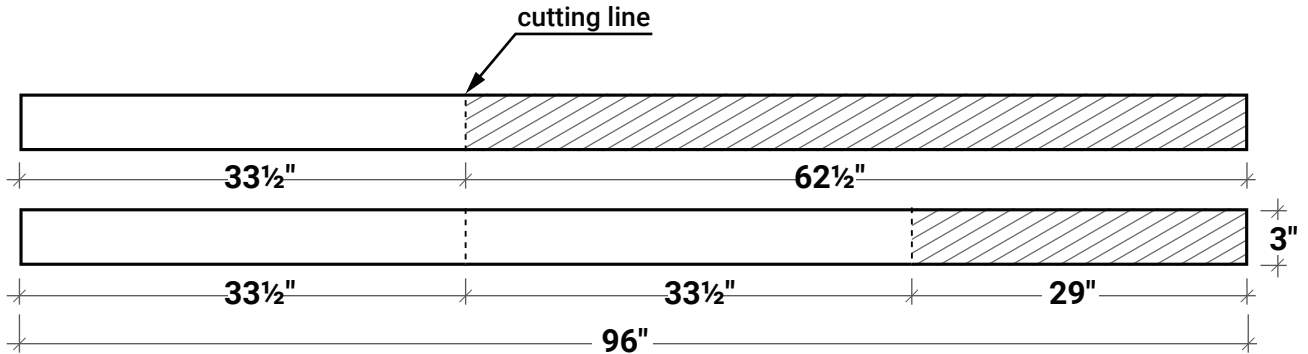
Plan • Wood Shoe Rack



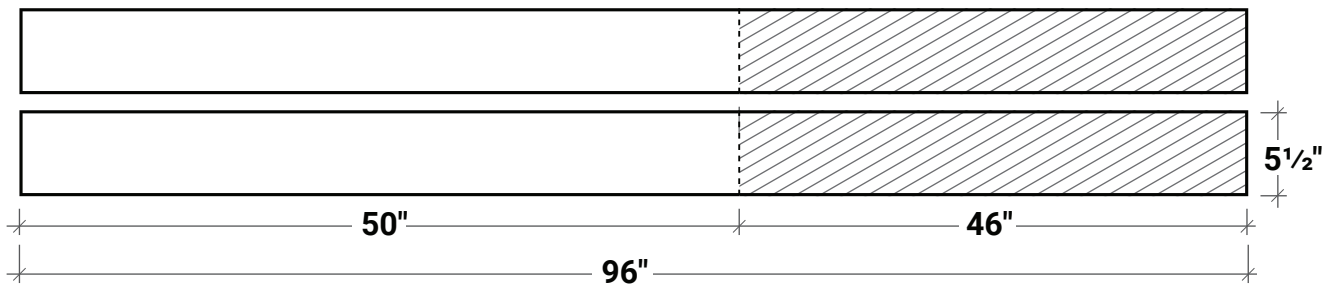
Workshop

Plan • Wood Shoe Rack

1
2" x 3"



2
5½" x ¾"



3
3½" x ¾"

